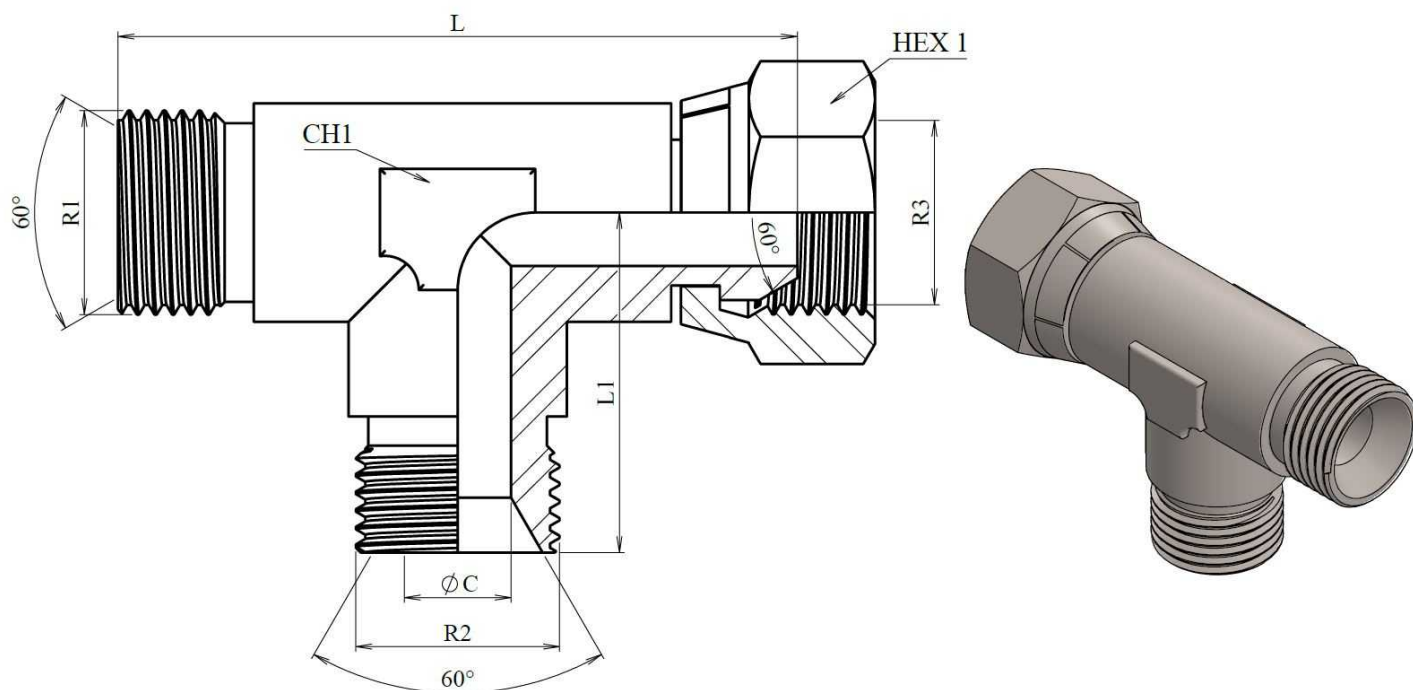


Adaptadores BSP

Te y cruces en forja

## Tes macho - macho - hembra giratoria BSP 60º

Acero Inoxidable AISI 316-L



Artículo	R1	R2	R3	L	L1	HEX 1	CH1	ØC
<b>Z122204</b>	1/4" BSP	1/4" BSP	1/4" BSP	51,2	25,4	19	14	5
<b>Z122206</b>	3/8" BSP	3/8" BSP	3/8" BSP	54,4	25,4	22	20	8
<b>Z122208</b>	1/2" BSP	1/2" BSP	1/2" BSP	67	31,5	27	24	11
<b>Z122212</b>	3/4" BSP	3/4" BSP	3/4" BSP	81,1	38,1	32	28	16
<b>Z122216</b>	1" BSP	1" BSP	1" BSP	91,5	44,5	41	36	22
<b>Z122220</b>	1"1/4 BSP	1"1/4 BSP	1"1/4 BSP	107	52	50	41	28
<b>Z122224</b>	1"1/2 BSP	1"1/2 BSP	1"1/2 BSP	108	54	55	41	30